

PARTS LIST

[KS-AX4700]

* All printed circuit boards and its assemblies are not available as service parts.

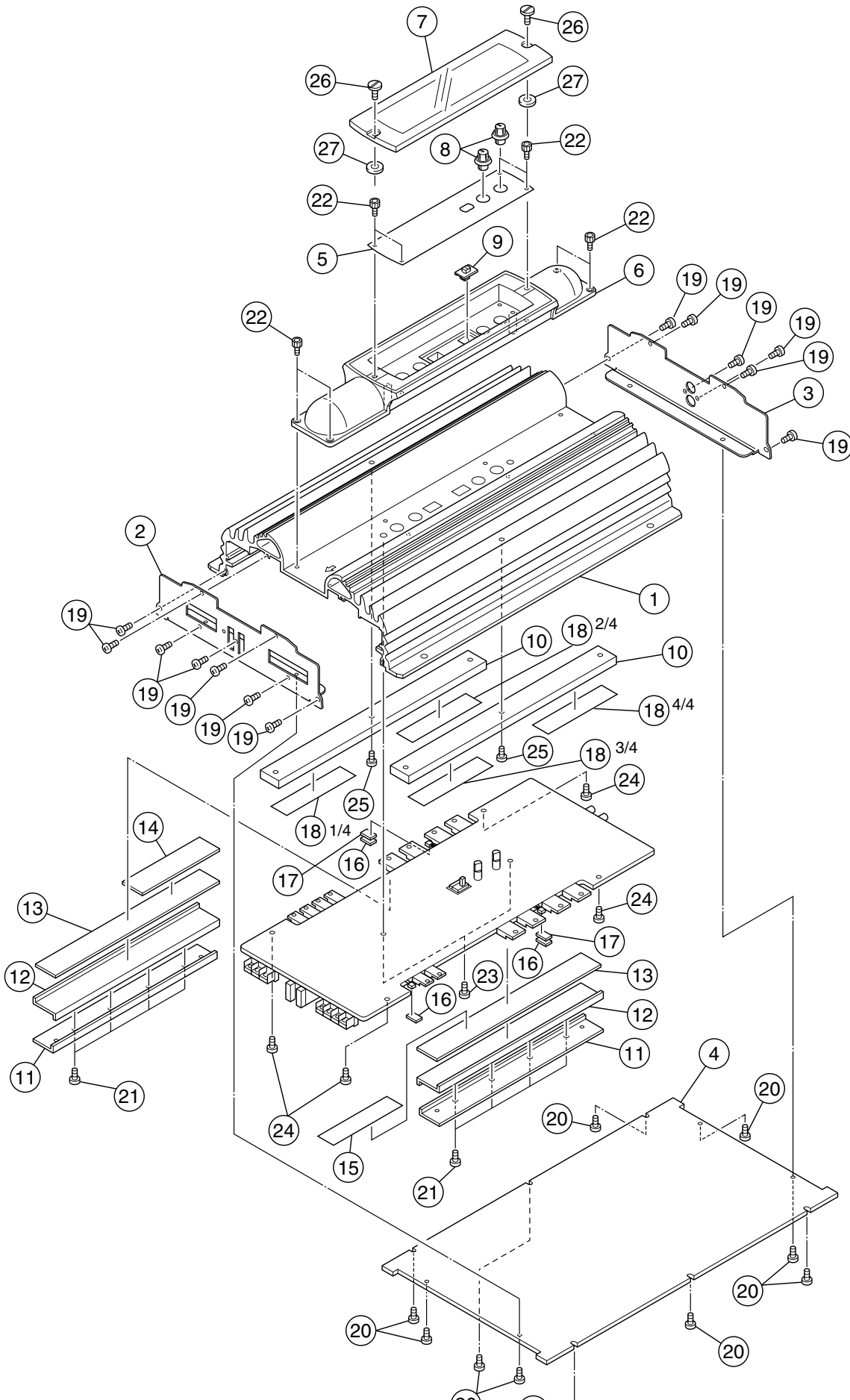
Areas suffix	
E	----- Continental Europe
J	----- Northern America

- Contents -

Exploded view of enclosure assembly and parts list	----- 3-2
Electrical parts List	----- 3-4
Packing and accessories	----- 3-7

Exploded view of enclosure assembly and parts list

Block No. M 1 M M



Parts list (Enclosure assembly)

Block No. M1MM

△	Item	Parts number	Parts name	Q'ty	Description	Area
	1	MA-HS-IT-1123-1	MAIN HEAT SINK	1		
	2	MA-FP-IT-6413-1	FRONT PANEL	1		
	3	MA-RP-IT-6414-1	REAR PANEL	1		
	4	MA-BC-IT-6415-2	BOTTOM COVER	1		
	5	MA-SD-06-1925-0	CONTROL PANEL	1		
	6	MA-TC-03-1122-0	PIPE	1		
	7	MA-TC-04-8034-0	TOP PANEL	1		
	8	MO-KB-07-6023-2	VOLUME KNOB	2		
	9	MO-KB-07-6024-1	SWITCH KNOB	1		
	10	MA-SH-IT-6416-1	SUB HEAT SINK	2		
	11	MA-BR-03-4124-0	TR BRACKET-A	2		
	12	MA-BR-03-4125-0	TR BRACKET-B	2		
	13	MO-CU-02-4869-1	TR/BKT CUSHION-A	2		
	14	MO-CU-02-4195-1	TR/BKT CUSHION-B	1		
	15	MO-CU-02-4127-1	TR/BKT CUSHION-C	1		
	16	MO-CU-01-4097-1	RUBBER CUSH.-A	3		
	17	MO-CU-01-4097-0	RUBBER CUSH.-B	2		
	18	MA-SP-02-1901-0	SILICON PAD	1	460mm(115mm × 4)	
	19	MNSC-04-3-30-08	SCREW	13		
	20	MNSC-04-2-30-06	SCREW	10		
	21	MNC-00-3-40-14	SCREW	8		
	22	MNSC-04-6-30-06	SCREW	8		
	23	MZSC-04-5-30-08	SCREW	2		
	24	MZSC-04-5-30-13	SCREW	4		
	25	MZSC-04-5-30-10	SCREW	2		
	26	MNSC-00-1-40-7	SCREW (SPECIFIC)	2		
	27	MOWA-05-8085-0	POLY WASHER	2		

Electrical parts list

■ Electrical parts list (P.C.board)

Block No. 01

△	Item	Parts number	Parts name	Remarks	Area	△	Item	Parts number	Parts name	Remarks	Area
	C 01	ELE10UF/16V	E.CAPACITOR	ELECTROLYTIC			C 142	CER104PF50V	CAPACITOR	CERAMIC DISK 50	
	C 11	ELE2200UF/25V	E.CAPACITOR	ELECTROLYTIC			C 151	ELE220UF/16V	E.CAPACITOR	ELECTROLYTIC	
	C 12	ELE2200UF/25V	E.CAPACITOR	ELECTROLYTIC			C 191	CER473PF50V	CAPACITOR	CERAMIC DISK 50	
	C 13	CER104PF50V	CAPACITOR	CERAMIC DISK 50			C 192	AXIAL473PF/50V	A CAPACITOR	AXIAL 50V 5%	
	C 15	CER104PF/50V	C.CAPACITOR	CERAMIC DISK 50			C 193	CER473PF/50V	C.CAPACITOR	CERAMIC DISK 50	
	C 16	ELE100UF/16V	E.CAPACITOR	ELECTROLYTIC			C 194	CER473PF/50V	C.CAPACITOR	CERAMIC DISK 50	
	C 17	ELE47UF/16V	E.CAPACITOR	ELECTROLYTIC			C 195	CER473PF/50V	C.CAPACITOR	CERAMIC DISK 50	
	C 18	ELE100UF/16V	E.CAPACITOR	ELECTROLYTIC			C 201	ELE4.7UF/50V	E.CAPACITOR	ELECTROLYTIC	
	C 19	ELE100UF/16V	E.CAPACITOR	ELECTROLYTIC			C 202	ELE4.7UF/50V	E.CAPACITOR	ELECTROLYTIC	
	C 20	CER104PF/50V	C.CAPACITOR	CERAMIC DISK 50			C 204	CER22PF/50V	C.CAPACITOR	CERAMIC DISK 50	
	C 21	ELE10UF/25V	E.CAPACITOR	ELECTROLYTIC			C 205	CER100PF/50V	C.CAPACITOR	CERAMIC DISK 50	
	C 22	ELE47UF/25V	E.CAPACITOR	ELECTROLYTIC			C 206	CER22PF/50V	C.CAPACITOR	CERAMIC DISK 50	
	C 23	ELE100UF/16V	E.CAPACITOR	ELECTROLYTIC			C 207	ELE4.7UF/50V	E.CAPACITOR	ELECTROLYTIC	
	C 27	CER473PF/50V	C.CAPACITOR	CERAMIC DISK 50			C 208	CER33PF/50V	C CAPACITOR	CERAMIC DISK 50	
	C 31	MAL104J/50V	M.CAPACITOR	MYLAR 50V 5%			C 211	CER47PF/50V	C CAPACITOR	CERAMIC DISK 50	
	C 40	MAL102G	S.CAPACITOR	STYCON			C 212	MAL224J/50V	M.CAPACITOR	MYLAR 50V 5%	
	C 41	ELE100UF/16V	E.CAPACITOR	ELECTROLYTIC			C 213	MAL183J/50V	M.CAPACITOR	MYLAR 50V 5%	
	C 60	MAL222J/50V	M.CAPACITOR	MYLAR 50V 5%			C 214	MAL104J/50V	M.CAPACITOR	MYLAR 50V 5%	
	C 61	CER104PF/50V	C.CAPACITOR	CERAMIC DISK 50			C 215	MAL473J/50V	M.CAPACITOR	MYLAR 50V 5%	
	C 62	CER104PF/50V	C.CAPACITOR	CERAMIC DISK 50			C 216	MAL473J/50V	M.CAPACITOR	MYLAR 50V 5%	
	C 63	ELE220UF/16V	E.CAPACITOR	ELECTROLYTIC			C 217	MAL473J/50V	M.CAPACITOR	MYLAR 50V 5%	
	C 64	ELE220UF/16V	E.CAPACITOR	ELECTROLYTIC			C 230	ELE4.7UF/50V	E.CAPACITOR	ELECTROLYTIC	
	C 65	CER104PF50V	CAPACITOR	CERAMIC DISK 50			C 231	ELE4.7UF/50V	E.CAPACITOR	ELECTROLYTIC	
	C 66	CER104PF/50V	C.CAPACITOR	CERAMIC DISK 50			C 232	CER100PF/50V	C.CAPACITOR	CERAMIC DISK 50	
	C 67	ELE470UF/50V	E CAPACITOR	ELECTROLYTIC			C 233	ELE10UF/16V	E.CAPACITOR	ELECTROLYTIC	
	C 68	ELE470UF/50V	E CAPACITOR	ELECTROLYTIC			C 234	ELE10UF/16V	E.CAPACITOR	ELECTROLYTIC	
	C 69	ELE2200UF/50V	E CAPACITOR	ELECTROLYTIC			C 235	CER150PF/50V	C.CAPACITOR	CERAMIC DISK 50	
	C 70	ELE2200UF/50V	E CAPACITOR	ELECTROLYTIC			C 236	MAL473J/50V	M.CAPACITOR	MYLAR 50V 5%	
	C 73	CER104PF/50V	C.CAPACITOR	CERAMIC DISK 50			C 237	CER220PF/50V	C CAPACITOR	CERAMIC DISK 50	
	C 74	CER104PF50V	CAPACITOR	CERAMIC DISK 50			C 238	CER56PF/50V	C.CAPACITOR	CERAMIC DISK 50	
	C 80	CER22PF/50V	C.CAPACITOR	CERAMIC DISK 50			C 239	ELE100UF/16V	E.CAPACITOR	ELECTROLYTIC	
	C 81	ELE47UF/25V	E.CAPACITOR	ELECTROLYTIC			C 240	CER150PF/50V	C.CAPACITOR	CERAMIC DISK 50	
	C 91	CER473PF/50V	C.CAPACITOR	CERAMIC DISK 50			C 241	MAL104J/50V	M.CAPACITOR	MYLAR 50V 5%	
	C 92	CER473PF/50V	C.CAPACITOR	CERAMIC DISK 50			C 291	CER473PF/50V	C.CAPACITOR	CERAMIC DISK 50	
	C 93	CER473PF/50V	C.CAPACITOR	CERAMIC DISK 50			C 292	CER473PF/50V	C.CAPACITOR	CERAMIC DISK 50	
	C 100	ELE330UF/25V(NP)	E CAPACITOR	ELECTROLYTIC(NP)			C 293	CER473PF/50V	C.CAPACITOR	CERAMIC DISK 50	
	C 101	ELE4.7UF/50V	E.CAPACITOR	ELECTROLYTIC			C 294	CER473PF/50V	C.CAPACITOR	CERAMIC DISK 50	
	C 102	ELE4.7UF/50V	E.CAPACITOR	ELECTROLYTIC			C 295	CER473PF/50V	C.CAPACITOR	CERAMIC DISK 50	
	C 103	CER103P/50V	C CAPACITOR	CERAMIC DISK 50			D 01	1N5404	DIODE	RECTIFIER	
	C 104	CER22PF/50V	C.CAPACITOR	CERAMIC DISK 50			D 02	1N4004	DIODE	RECTIFIER	
	C 105	CER100PF/50V	C.CAPACITOR	CERAMIC DISK 50			D 05	1N4148	GE DIODE	SWITCHING SIGNA	
	C 106	CER22PF/50V	C.CAPACITOR	CERAMIC DISK 50			D 10	1N4148	GE DIODE	SWITCHING SIGNA	
	C 107	ELE4.7UF/50V	E.CAPACITOR	ELECTROLYTIC			D 11	1N4148	GE DIODE	SWITCHING SIGNA	
	C 108	CER68PF/50V	C.CAPACITOR	CERAMIC DISK 50			D 31	FR154	DIODE	FAST RECOVERY	
	C 111	CER47PF/50V	C CAPACITOR	CERAMIC DISK 50			D 32	FR154	DIODE	FAST RECOVERY	
	C 112	MAL224J/50V	M.CAPACITOR	MYLAR 50V 5%			D 34	FR154	DIODE	FAST RECOVERY	
	C 113	MAL183J/50V	M.CAPACITOR	MYLAR 50V 5%			D 35	FR154	DIODE	FAST RECOVERY	
	C 114	MAL104J/50V	M.CAPACITOR	MYLAR 50V 5%			D 51	YG225D2	DIODE(BRIDGE)	FAST RECOVERY	
	C 115	MAL473J/50V	M.CAPACITOR	MYLAR 50V 5%			D 52	YG225D2	DIODE(BRIDGE)	FAST RECOVERY	
	C 116	MAL473J/50V	M.CAPACITOR	MYLAR 50V 5%			D 53	1N4744	ZENER DIODE	ZENER 15V/1W	
	C 117	MAL473J/50V	M.CAPACITOR	MYLAR 50V 5%			D 54	1N4744	ZENER DIODE	ZENER 15V/1W	
	C 130	ELE4.7UF/50V	E.CAPACITOR	ELECTROLYTIC			D 70	1N4148	GE DIODE	SWITCHING SIGNA	
	C 131	ELE4.7UF/50V	E.CAPACITOR	ELECTROLYTIC			D 71	1N4148	GE DIODE	SWITCHING SIGNA	
	C 132	CER100PF/50V	C.CAPACITOR	CERAMIC DISK 50			D 101	1N4148	GE DIODE	SWITCHING SIGNA	
	C 133	ELE10UF/16V	E.CAPACITOR	ELECTROLYTIC			D 201	1N4148	GE DIODE	SWITCHING SIGNA	
	C 134	ELE10UF/16V	E.CAPACITOR	ELECTROLYTIC			△ F 1	FUSE20A/32V	AUTO FUSE		
	C 135	CER150PF/50V	C.CAPACITOR	CERAMIC DISK 50			F 01	FH-9604	FUSE HOLDER		
	C 136	MAL473J/50V	M.CAPACITOR	MYLAR 50V 5%			HP 01	4P	HEADER PIN	GOLD PLATED	
	C 137	CER220PF/50V	C CAPACITOR	CERAMIC DISK 50			HP 02	8P	HEADER PIN	GOLD PLATED	
	C 138	CER56PF/50V	C.CAPACITOR	CERAMIC DISK 50			JA 01	DJB-552S	RCA JACK		
	C 139	ELE100UF/16V	E.CAPACITOR	ELECTROLYTIC			L 01	CL-310	INDUCTOR	BAR CORE	
	C 140	CER150PF50V	C CAPACITOR	CERAMIC DISK 50			L 10	CL-1113	INDUCTOR	IRON 23PHI CORE	
	C 141	MAL104J/50V	M.CAPACITOR	MYLAR 50V 5%			LED01	SAM3270	LED		

■ Electrical parts list (P.C.board)

Block No. 01

△	Item	Parts number	Parts name	Remarks	Area	△	Item	Parts number	Parts name	Remarks	Area
	P 01	TM0006-00	TERMINAL				R 20	CAR1/5WJ10K	RESISTOR	CARBON FILM 1/5	
	P 02	TM0009-00	TERMINAL				R 25	CAR1/5WJ10	RESISTOR	CARBON FILM 1/5	
	Q 01	KTA1023Y	TRANSISTOR	SMALL SIGNAL PN			R 26	CAR1/5WJ1K	RESISTOR	CARBON FILM 1/5	
	Q 02	KTC3198GR	TRANSISTOR	SMALL SIGNAL NP			R 30	CAR1/5WJ1K	RESISTOR	CARBON FILM 1/5	
	Q 05	KTA1266GR	TRANSISTOR	SMALL SIGNAL PN			R 31	CAR1/5WJ22K	RESISTOR	CARBON FILM 1/5	
	Q 06	KTA1266GR	TRANSISTOR	SMALL SIGNAL PN			R 32	CAR1/5WJ33K	RESISTOR	CARBON FILM 1/5	
	Q 07	KTC3198BL	TRANSISTOR	SMALL SIGNAL NP			R 33	CAR1/5WJ15K	RESISTOR	CARBON FILM 1/5	
	Q 08	KTA1268GR	TRANSISTOR	SMALL SIGNAL PN			R 34	CAR1/5WJ15K	RESISTOR	CARBON FILM 1/5	
	Q 31	KTC3198GR	TRANSISTOR	SMALL SIGNAL NP			R 35	CAR1/5WJ1.2K	RESISTOR	CARBON FILM 1/5	
	Q 32	KTC3198GR	TRANSISTOR	SMALL SIGNAL NP			R 36	CAR1/5WJ51K	RESISTOR	CARBON FILM 1/5	
	Q 40	KTA1266GR	TRANSISTOR	SMALL SIGNAL PN			R 37	CAR1/5WJ1.2K	RESISTOR	CARBON FILM 1/5	
	Q 41	KTA1266GR	TRANSISTOR	SMALL SIGNAL PN			R 38	CAR1/5WJ10K	RESISTOR	CARBON FILM 1/5	
	Q 45	FQP50N06	FET	N-CH POWER MOSF			R 39	CAR1/5WJ68K	RESISTOR	CARBON FILM 1/5	
	Q 46	FQP50N06	FET	N-CH POWER MOSF			R 40	CAR1/5WJ15K	RESISTOR	CARBON FILM 1/5	
	Q 55	FQP50N06	FET	N-CH POWER MOSF			R 41	MET1/5WF15K	RESISTOR	METAL FILM 1/5W	
	Q 56	FQP50N06	FET	N-CH POWER MOSF			R 42	CAR1/4WJ220	RESISTOR	CARBON FILM 1/4	
	Q 80	KTK30AGR	FET	N-CH JFET			R 43	CAR1/4WJ220	RESISTOR	CARBON FILM 1/4	
	Q 100	KTK117	FET	N-CH JFET			R 44	CAR1/5WJ1K	RESISTOR	CARBON FILM 1/5	
	Q 101	KTC3198GR	TRANSISTOR	SMALL SIGNAL NP			R 45	CAR1/5WJ47	RESISTOR	CARBON FILM 1/5	
	Q 102	KTC3198GR	TRANSISTOR	SMALL SIGNAL NP			R 46	CAR1/5WJ47	RESISTOR	CARBON FILM 1/5	
	Q 103	KTA1266GR	TRANSISTOR	SMALL SIGNAL PN			R 47	MET2W10	RESISTOR	METAL FILM 2WJ	
	Q 104	KTA1266GR	TRANSISTOR	SMALL SIGNAL PN			R 54	CAR1/5WJ1K	RESISTOR	CARBON FILM 1/5	
	Q 105	KTA1023Y	TRANSISTOR	SMALL SIGNAL PN			R 55	CAR1/5WJ47	RESISTOR	CARBON FILM 1/5	
	Q 106	KTC1027Y	TRANSISTOR	SMALL SIGNAL NP			R 56	CAR1/5WJ47	RESISTOR	CARBON FILM 1/5	
	Q 107	KTC3200GR	TRANSISTOR	SMALL SIGNAL NP			R 57	MET2W10	RESISTOR	METAL FILM 2WJ	
	Q 108	KSC2690A	TRANSISTOR	AUDIO DRIVE NPN			R 60	MET2WJ100	RESISTOR	METAL FILM 2WJ	
	Q 109	KSC2690A	TRANSISTOR	AUDIO DRIVE NPN			R 70	MET2WJ470	RESISTOR	METAL FILM 2WJ	
	Q 110	KSA1220A	TRANSISTOR	AUDIO DRIVE PNP			R 71	MET2WJ470	RESISTOR	METAL FILM 2WJ	
	Q 111	KSA1220A	TRANSISTOR	AUDIO DRIVE PNP			R 77	MET1/2WJ10K	RESISTOR	METAL FILM 1/2W	
	Q 112	KTD998	TRANSISTOR	AUDIO POWER NPN			R 78	MET1/2WJ10K	RESISTOR	METAL FILM 1/2W	
	Q 113	KTD998	TRANSISTOR	AUDIO POWER NPN			R 80	CAR1/5WJ220K	RESISTOR	CARBON FILM 1/5	
	Q 114	KTB778	TRANSISTOR	AUDIO POWER PNP			R 81	CAR1/5WJ10K	RESISTOR	CARBON FILM 1/5	
	Q 115	KTB778	TRANSISTOR	AUDIO POWER PNP			R 82	CAR1/5WJ2.2M	RESISTOR	CARBON FILM 1/5	
	Q 116	KTC3200GR	TRANSISTOR	SMALL SIGNAL NP			R 90	CAR1/5WJ10K	RESISTOR	CARBON FILM 1/5	
	Q 117	KTC3198GR	TRANSISTOR	SMALL SIGNAL NP			R 101	MET1/5WF22K	RESISTOR	METAL FILM 1/5W	
	Q 200	KTK117	FET	N-CH JFET			R 102	MET1/5WF21.5K	RESISTOR	METAL FILM 1/5W	
	Q 201	KTC3198GR	TRANSISTOR	SMALL SIGNAL NP			R 103	MET1/5WF22K	RESISTOR	METAL FILM 1/5W	
	Q 202	KTC3198GR	TRANSISTOR	SMALL SIGNAL NP			R 104	CAR1/5WJ470	RESISTOR	CARBON FILM 1/5	
	Q 203	KTA1266GR	TRANSISTOR	SMALL SIGNAL PN			R 105	MET1/5WF24K	RESISTOR	METAL FILM 1/5W	
	Q 204	KTA1266GR	TRANSISTOR	SMALL SIGNAL PN			R 106	MET1/5WF24K	RESISTOR	METAL FILM 1/5W	
	Q 205	KTA1023Y	TRANSISTOR	SMALL SIGNAL PN			R 108	CAR1/5WJ1K	RESISTOR	CARBON FILM 1/5	
	Q 206	KTC1027Y	TRANSISTOR	SMALL SIGNAL NP			R 109	MET1/5WF1.3K	RESISTOR	METAL FILM 1/5W	
	Q 207	KTC3200GR	TRANSISTOR	SMALL SIGNAL NP			R 110	MET1/5WF15K	RESISTOR	METAL FILM 1/5W	
	Q 208	KSC2690A	TRANSISTOR	AUDIO DRIVE NPN			R 111	MET1/5WF11K	RESISTOR	METAL FILM 1/5W	
	Q 209	KSC2690A	TRANSISTOR	AUDIO DRIVE NPN			R 112	MET1/5WF30K	RESISTOR	METAL FILM 1/5W	
	Q 210	KSA1220A	TRANSISTOR	AUDIO DRIVE PNP			R 113	CAR1/5WJ1K	RESISTOR	CARBON FILM 1/5	
	Q 211	KSA1220A	TRANSISTOR	AUDIO DRIVE PNP			R 114	CAR1/5WJ1K	RESISTOR	CARBON FILM 1/5	
	Q 212	KTD998	TRANSISTOR	AUDIO POWER NPN			R 115	CAR1/5WJ1K	RESISTOR	CARBON FILM 1/5	
	Q 213	KTD998	TRANSISTOR	AUDIO POWER NPN			R 116	CAR1/5WJ20K	RESISTOR	CARBON FILM 1/5	
	Q 214	KTB778	TRANSISTOR	AUDIO POWER PNP			R 117	CAR1/5WJ100K	RESISTOR	CARBON FILM 1/5	
	Q 215	KTB778	TRANSISTOR	AUDIO POWER PNP			R 118	CAR1/5WJ5.6K	RESISTOR	CARBON FILM 1/5	
	Q 216	KTC3200GR	TRANSISTOR	SMALL SIGNAL NP			R 119	CAR1/5WJ470K	RESISTOR	CARBON FILM 1/5	
	Q 217	KTC3198GR	TRANSISTOR	SMALL SIGNAL NP			R 121	CAR1/5WJ30K	RESISTOR	CARBON FILM 1/5	
	R 01	CAR1/4WJ10	RESISTOR	CARBON FILM 1/4			R 122	CAR1/5WJ30K	RESISTOR	CARBON FILM 1/5	
	R 02	CAR1/5WJ4.7K	RESISTOR	CARBON FILM 1/5			R 123	CAR1/5WJ30K	RESISTOR	CARBON FILM 1/5	
	R 03	CAR1/5WJ4.7K	RESISTOR	CARBON FILM 1/5			R 124	CAR1/5WJ62K	RESISTOR	CARBON FILM 1/5	
	R 04	CAR1/5WJ4.7K	RESISTOR	CARBON FILM 1/5			R 130	CAR1/5WJ10K	RESISTOR	CARBON FILM 1/5	
	R 05	CAR1/5WJ10K	RESISTOR	CARBON FILM 1/5			R 131	MET1/5WF5.6K	RESISTOR	METAL FILM 1/5W	
	R 15	MET1/5WF130K	RESISTOR	METAL FILM 1/5W			R 132	MET1/5WF22K	RESISTOR	METAL FILM 1/5W	
	R 16	MET1/5WF51K	RESISTOR	METAL FILM 1/5W			R 133	CAR1/5WJ1K	RESISTOR	CARBON FILM 1/5	
	R 17	CAR1/5WJ4.7K	RESISTOR	CARBON FILM 1/5			R 134	CAR1/5WJ5.6K	RESISTOR	CARBON FILM 1/5	
	R 18	CAR1/5WJ4.7K	RESISTOR	CARBON FILM 1/5			R 135	CAR1/5WJ5.6K	RESISTOR	CARBON FILM 1/5	
	R 19	CAR1/5WJ10K	RESISTOR	CARBON FILM 1/5			R 136	CAR1/5WJ1K	RESISTOR	CARBON FILM 1/5	

■ Electrical parts list (P.C.board)

Block No. 01

△	Item	Parts number	Parts name	Remarks	Area
	R 137	CAR1/5WJ1K	RESISTOR	CARBON FILM 1/5	
	R 138	CAR1/5WJ22	RESISTOR	CARBON FILM 1/5	
	R 139	CAR1/5WJ22	RESISTOR	CARBON FILM 1/5	
	R 140	CAR1/5WJ22	RESISTOR	CARBON FILM 1/5	
	R 141	CAR1/5WJ22	RESISTOR	CARBON FILM 1/5	
	R 142	CAR1/5WJ1K	RESISTOR	CARBON FILM 1/5	
	R 143	CAR1/5WJ47	RESISTOR	CARBON FILM 1/5	
	R 144	CAR1/5WJ3.9K	RESISTOR	CARBON FILM 1/5	
	R 145	CAR1/5WJ2.7K	RESISTOR	CARBON FILM 1/5	
	R 146	CAR1/5WJ47	RESISTOR	CARBON FILM 1/5	
	R 147	MET1/5WF12K	RESISTOR	METAL FILM 1/5W	
	R 148	MET1/5WF560	RESISTOR	METAL FILM 1/5W	
	R 149	CAR1/5WJ220	RESISTOR	CARBON FILM 1/5	
	R 150	CAR1/5WJ220	RESISTOR	CARBON FILM 1/5	
	R 151	MET3W0.1	RESISTOR		
	R 152	MET3W0.1	RESISTOR		
	R 153	MET3W0.1	RESISTOR		
	R 154	MET3W0.1	RESISTOR		
	R 155	CAR1/5WJ1.5K	RESISTOR	CARBON FILM 1/5	
	R 156	CAR1/5WJ15K	RESISTOR	CARBON FILM 1/5	
	R 157	CAR1/5WJ56K	RESISTOR	CARBON FILM 1/5	
	R 158	MET1/2WJ4.7	RESISTOR	METAL FILM 1/2W	
	R 159	MET2WJ680	RESISTOR	METAL FILM 2WJ	
	R 201	MET1/5WF22K	RESISTOR	METAL FILM 1/5W	
	R 202	MET1/5WF21.5K	RESISTOR	METAL FILM 1/5W	
	R 203	MET1/5WF22K	RESISTOR	METAL FILM 1/5W	
	R 205	MET1/5WF24K	RESISTOR	METAL FILM 1/5W	
	R 206	MET1/5WF24K	RESISTOR	METAL FILM 1/5W	
	R 208	CAR1/5WJ1K	RESISTOR	CARBON FILM 1/5	
	R 209	MET1/5WF1.3K	RESISTOR	METAL FILM 1/5W	
	R 210	MET1/5WF15K	RESISTOR	METAL FILM 1/5W	
	R 211	CAR1/5WJ12K	RESISTOR	CARBON FILM 1/5	
	R 212	MET1/5WF56K	RESISTOR	METAL FILM 1/5W	
	R 213	CAR1/5WJ1K	RESISTOR	CARBON FILM 1/5	
	R 214	CAR1/5WJ1K	RESISTOR	CARBON FILM 1/5	
	R 215	CAR1/5WJ1K	RESISTOR	CARBON FILM 1/5	
	R 216	CAR1/5WJ20K	RESISTOR	CARBON FILM 1/5	
	R 217	CAR1/5WJ100K	RESISTOR	CARBON FILM 1/5	
	R 218	CAR1/5WJ5.6K	RESISTOR	CARBON FILM 1/5	
	R 219	CAR1/5WJ470K	RESISTOR	CARBON FILM 1/5	
	R 221	CAR1/5WJ30K	RESISTOR	CARBON FILM 1/5	
	R 222	CAR1/5WJ30K	RESISTOR	CARBON FILM 1/5	
	R 223	CAR1/5WJ30K	RESISTOR	CARBON FILM 1/5	
	R 224	CAR1/5WJ62K	RESISTOR	CARBON FILM 1/5	
	R 230	CAR1/5WJ10K	RESISTOR	CARBON FILM 1/5	
	R 231	MET1/5WF5.6K	RESISTOR	METAL FILM 1/5W	
	R 232	MET1/5WF22K	RESISTOR	METAL FILM 1/5W	
	R 233	CAR1/5WJ1K	RESISTOR	CARBON FILM 1/5	
	R 234	CAR1/5WJ5.6K	RESISTOR	CARBON FILM 1/5	
	R 235	CAR1/5WJ5.6K	RESISTOR	CARBON FILM 1/5	
	R 236	CAR1/5WJ1K	RESISTOR	CARBON FILM 1/5	
	R 237	CAR1/5WJ1K	RESISTOR	CARBON FILM 1/5	
	R 238	CAR1/5WJ22	RESISTOR	CARBON FILM 1/5	
	R 239	CAR1/5WJ22	RESISTOR	CARBON FILM 1/5	
	R 240	CAR1/5WJ22	RESISTOR	CARBON FILM 1/5	
	R 241	CAR1/5WJ22	RESISTOR	CARBON FILM 1/5	
	R 242	CAR1/5WJ1K	RESISTOR	CARBON FILM 1/5	
	R 243	CAR1/5WJ47	RESISTOR	CARBON FILM 1/5	
	R 244	CAR1/5WJ3.9K	RESISTOR	CARBON FILM 1/5	
	R 245	CAR1/5WJ2.7K	RESISTOR	CARBON FILM 1/5	
	R 246	CAR1/5WJ47	RESISTOR	CARBON FILM 1/5	
	R 247	MET1/5WF12K	RESISTOR	METAL FILM 1/5W	
	R 248	MET1/5WF560	RESISTOR	METAL FILM 1/5W	

△	Item	Parts number	Parts name	Remarks	Area
	R 249	CAR1/5WJ220	RESISTOR	CARBON FILM 1/5	
	R 250	CAR1/5WJ220	RESISTOR	CARBON FILM 1/5	
	R 251	MET3W0.1	RESISTOR		
	R 252	MET3W0.1	RESISTOR		
	R 253	MET3W0.1	RESISTOR		
	R 254	MET3W0.1	RESISTOR		
	R 255	CAR1/5WJ1.5K	RESISTOR	CARBON FILM 1/5	
	R 256	CAR1/5WJ15K	RESISTOR	CARBON FILM 1/5	
	R 257	CAR1/5WJ56K	RESISTOR	CARBON FILM 1/5	
	R 258	MET1/2WJ4.7	RESISTOR	METAL FILM 1/2W	
	R 259	MET2WJ680	RESISTOR	METAL FILM 2WJ	
	SV 01	GF06P-202	SEMI VOLUME	2K OHM	
	SW101	JSS-2319	SWITCH	SLIDE SW	
	T 01	TF137061501	TRANS FORMER		
	TH 01	FTD5-350	THERMISTOR	50K NTC	
	U 01	TL494CN	I.C	PWM IC	
	U 101	NJM2068D	I.C	DUAL OP AMP	
	U 102	NJM2068LD	I.C	DUAL OP AMP	
	U 103	NJM2068LD	I.C	DUAL OP AMP	
	U 104	NJM2068LD	I.C	DUAL OP AMP	
	U 105	NJM2068LD	I.C	DUAL OP AMP	
	U 106	NJM2068LD	I.C	DUAL OP AMP	
	VR101	RK0971220-20KB2	VOLUME		
	VR102	RK0971220-20KB2	VOLUME		

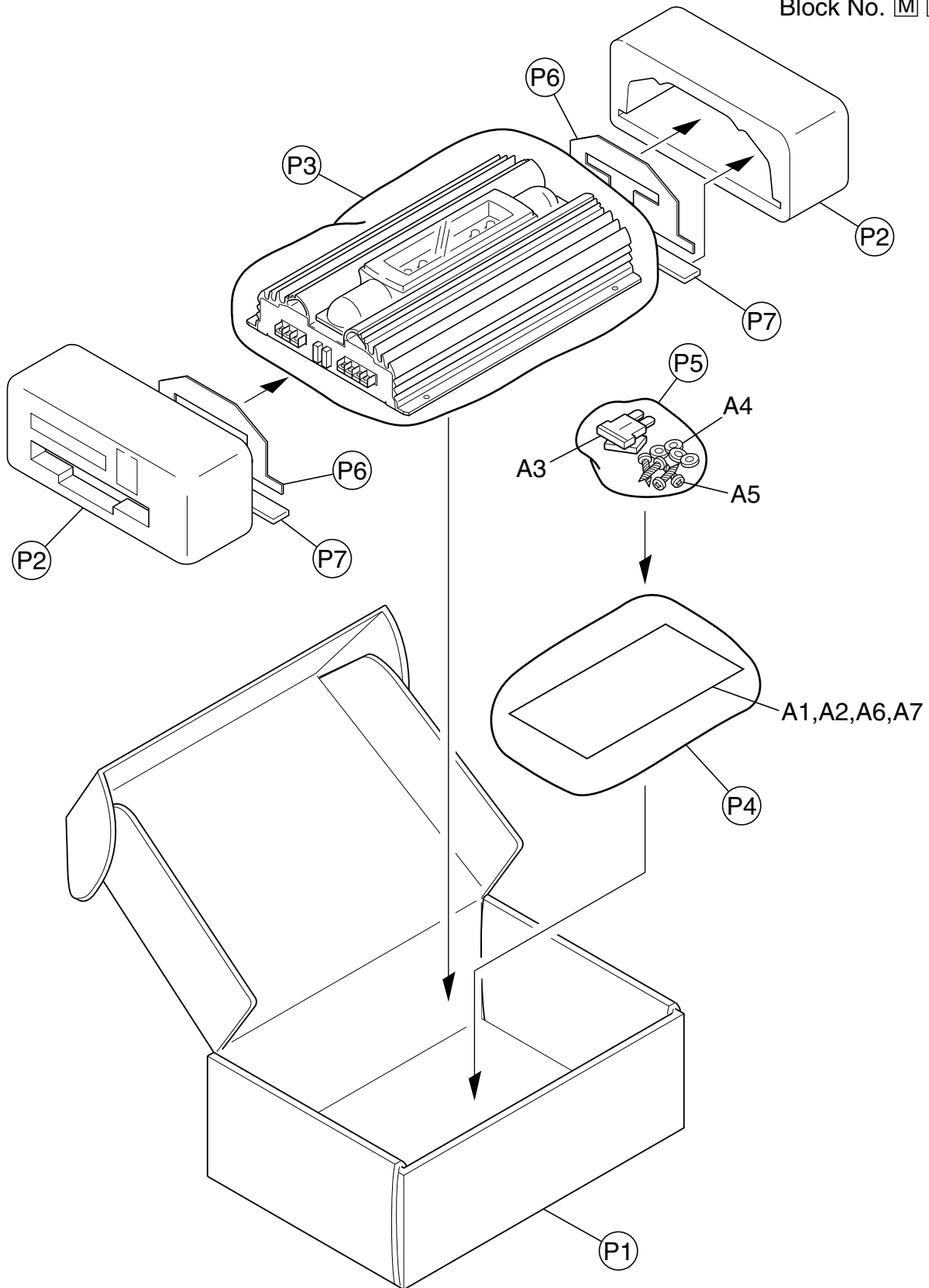
Packing and accessories

Block No.

M	2	M	M
---	---	---	---

Block No.

M	3	M	M
---	---	---	---



■ Packing parts list

Block No. M2MM

△	Item	Parts number	Parts name	Q'ty	Description	Area
	P 1	MA-GB-02-6419-0	GIFT BOX	1		
	P 2	MA-SN-07-1116-0	CUSHION	2		
	P 3	MA-PB-01-1039-0	POLY BAG-A	1		
	P 4	MA-PB-01-1715-0	POLY BAG-B	1		
	P 5	MA-PB-01-4101-0	POLY BAG-C	1		
	P 6	MO-FI-01-8087-0	PAPER SPACER	2		
	P 7	MA-IN-02-8090-0	FLAT PAD	2		

■ Accessories parts list

Block No. M3MM

△	Item	Parts number	Parts name	Q'ty	Description	Area
	A 1	LVT0727-001A	INST BOOK	1		
	A 2	BT-52004-1	WARRANTY CARD	1		J
		BT-51018-2	WARRANTY CARD	1		J
		BT-54013-1	WARRANTY CARD	1		E
	A 3	FUSE20A/32V	AUTO FUSE	2		
	A 4	MO-CU-01-4167-0	RUBBER CUSHION	4		
	A 5	MNSC-05-2-40-20	SCREW	4		
	A 6	BT-51020-2	REGIST CARD	1		
	A 7	BT-20071B	SERVICE CECTER LIST	1		J
	KIT 1	KSAX4700-SCREW	SCREW PARTS LIST	1	A4,A5,P5	J